



Infrared Heater

Installation and Operating Instructions

The infrared heater consists of a number (from 1 to 4) of highly emissive ceramic heating elements mounted in a directional, reflective unit. It is designed to gently warm people in an outdoor covered area using the principles of infrared radiation. This type of radiation is a completely harmless part of the electromagnetic spectrum and contains no ultraviolet (UV) radiation.

Infrared radiation is emitted from the hot surface of the ceramic heaters and warms the body directly without heating the air in between. As soon as the heater is switched on the ceramic elements start to warm up and full operating temperature is achieved in less than 10 minutes. As the energy produced is all in the infrared region (not visible), there is no noticeable glow from the heater.

IMPORTANT: The heater rises to very high temperatures in use and the unit (in particular the ceramic surfaces) must not be touched when power is applied. The neon indicator denotes that the unit is in use; do not touch the unit when this is on. After switch off the elements remain hot for a considerable time and the unit should not be touched within 30 minutes minimum after switch off. Please attach the supplied notice (CAUTION DO NOT TOUCH HEATER) to the wall near the heater or in a location where it can easily be seen. NEVER use the heater to ignite materials.

IMPORTANT INFORMATION: Please read the following information fully, as safe and reliable operation depends on correct installation. Please keep this instruction sheet for future reference.

The AC mains supply is dangerous and potentially lethal. Ensure the mains supply is switched off at the consumer unit (fuse box) before attempting any work on electrical circuits. Wiring to this unit must be connected in accordance with the relevant national electrical safety standards. This unit must only be installed by a competent and qualified electrician. This appliance must be earthed.

Electrical information

The electrical supply to the unit should be provided by connecting to a circuit, which is protected by a fuse or Miniature Circuit Breaker suitable for the electrical rating of the unit and in accordance with Table 2 shown on the back of this leaflet. The supply to the heater must be separately switched. Alternatively, a switched fused spur taken from a ring main can be used. The spur fuse should also be rated in accordance with Table 2. In either case the switch used to operate the heater must be indoors and readily accessible.

The cable used to connect to the existing wiring should be correctly rated solid core wiring cable. Please note that the use of flexible appliance cable with stranded conductors for permanent wiring (except for the final connection between a cable outlet and the fixed equipment) is prohibited by IEE wiring regulations. Where applicable, these regulations preclude the use of a 13A plug and socket for powering the heater. For the final connection to the heater, only the flexible cable and cable entry supplied with the unit must be used. The cable must connect to the supply in a suitable enclosure or cable outlet designed for that purpose. The cable outlet current carrying capacity must be greater than the recommended fuse current rating given in Table 2.

If the cable outlet is outdoors it must be of waterproof construction. If the flexible cable is taken through an outside wall for connection purposes, suitable conduit or mechanical protection must be used through the wall to protect the cable from mechanical damage within the wall. The mounting position of the unit must ensure that any mechanical damage to the flexible cable is unlikely. If physical damage to the cable is possible, suitable conduit protection must be provided.



Installed ceramic heaters are UL recognised
(file no. E214574)



Mounting position

The heater must be located in a position to allow for proper and efficient use but one that ensures hot parts are not touched accidentally. The recommended height for the mounting is 2.3m to 2.5m (90"-98") from ground level, with the heaters angled down at 45 degrees (see Diagram 1). The heater **MUST NOT** be installed at a height of less than 2.3m (90"). Consideration should be given to any temporary or occasional additions such as stages or platforms, and the height should be adjusted accordingly. The heater should be firmly and permanently attached to an exterior brick or concrete block wall.

The unit is protected against water ingress (protection level IPX4), however it is recommended that the unit is installed in a covered outdoor area to give maximum protection and longevity against the effects of driving rain, wind, frost, salt water contamination, etc. The canopy/ roof / cover must be of a permanent nature, there must be a minimum clearance of 0.3m (12") between the cover and any part of the heater and the cover must extend a minimum of 2m (79") from the wall. The heater must not be attached to or installed close to any combustible material (eg, wood or PVC cladding, fascia or soffit).

Installation

Remove the mounting brackets from the box and drill the wall as per Diagram 2 and Table 1. Secure the mounting brackets onto the wall at the height indicated in Diagram 1 using suitable fixings (taking into consideration the approximate weight of the unit and fixing surface). Check that the brackets are securely fitted to the wall. Fit the heater securely to the brackets and angle the heaters down at 45 degrees.

Handle the unit with care during installation, avoid twisting and overreaching when installing the unit, ensure that you have adequate space to handle the unit and use the correct lifting techniques. The units must be installed at height; therefore all necessary precautions should be taken to ensure safe working at height.

Check that the mains supply is switched off, and then provide the mains supply connection to the heater using the specifications supplied earlier. The **BROWN** wire is to be connected to LIVE ('L'), the **BLUE** wire to NEUTRAL ('N') and the **GREEN/YELLOW** wire to EARTH ('E'). Any exposed flexible cable is to hang **DOWN** (not tied **UP**) and must have adequate clearance from the heater to prevent scorching or damaging the cable.

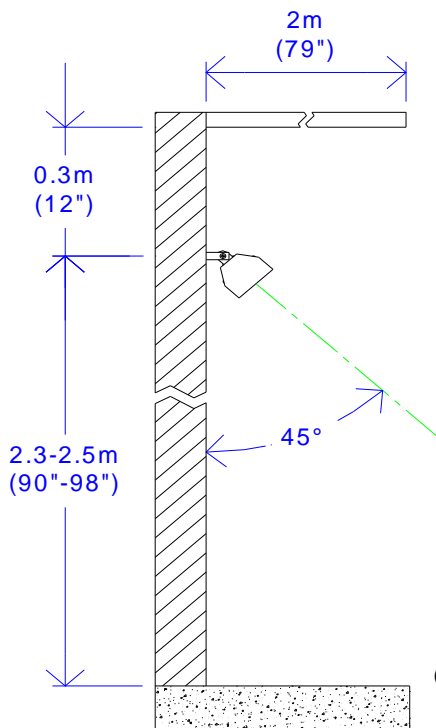


Diagram 1

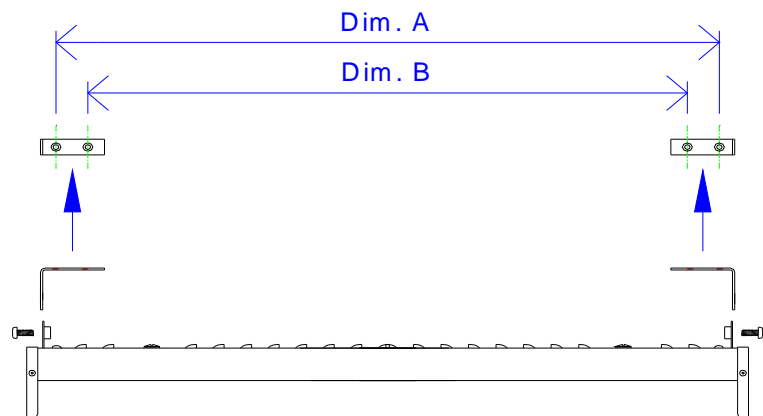


Diagram 2

Part	Dim. A mm (inches)	Dim. B mm (inches)
Pubsun1	203 (8")	145 (5.71")
Pubsun2	453 (17.83")	395 (15.55")
Pubsun3	703 (27.68")	645 (25.39")
Pubsun4	953 (37.52")	895 (35.24")

Table 1

Guarantee

The heater is guaranteed against failure due to faulty materials or workmanship for two years from date of purchase. In the unlikely event of failure of the unit within this time, the unit must be returned to the supplier for repair or replacement. The heater contains no customer useable parts and self-repair may damage the water protection inherent in the heater. The guarantee is invalid if the correct installation instructions as given in this leaflet have not been adhered to.

Maintenance

The heater is maintenance free but to maintain appearance it should occasionally be cleaned all over with a soft dry cloth. No abrasive cloths or cleaners should be used and appliances such as pressure washers, steam cleaners, etc, should never be used. Cleaning should only be done when the unit is cold and switched off (the neon indicator is not lit). All personnel cleaning and maintaining the unit must have suitable training and information to carry out the operation safely.


Specifications

Part	Rated Power (Watts)	Rated current followed by recommended fuse/circuit breaker rating (Amps)			
		115V supply		230V supply	
		Current	Fuse	Current	Fuse
pubsun1	650	5.7	10	2.8	10
pubsun2	1000	8.7	10	4.3	10
	1300	11.3	15	5.7	10
Pubsun3	1200	10.4	15	5.2	10
	1500	13	15	6.5	10
	1950	17.0	20	8.5	10
Pubsun4	1600	-	-	7.0	10
	2000	-	-	8.7	10
	2600	-	-	11.3	16

Table 2



IMPORTANT NOTICE TO PURCHASER.
 Before utilizing the product, user should determine the suitability of the product for its intended use. CERAMICX expressly disclaims the implied warranties and conditions of merchantability and fitness for a particular purpose. In no case shall CERAMICX be liable under any legal theory, including but not limited to contract or strict liability, for any direct, indirect special, incidental or consequential damages resulting from product use.

 Installed ceramic heaters are UL recognised (file no. E214574)

050508

